



SABGROUP

THE POWER OF ASSEMBLY

Your partner for
Tightening solutions
Quality control
Calibrations
Services



PRODUCTION TOOLING

Cleco

Ready with solutions that make your line more **accurate, connected, productive and safe.**

Cleco offers fit-for-purpose, integrated tool solutions to keep your assembly line running smoothly. Our production tool solutions help improve productivity, control quality and maintain safety. Since 1894, Cleco has delivered value to many of the world's leading manufacturers in a variety of industries, including Automotive/Motor Vehicle Industry, Agriculture & Lawn Equipment, Heavy Truck & Trailer, Large Appliance, Aerospace and more.



Cordless Assembly Tools

- Connectivity - The most reliable realtime synchronization with manufacturing and engineering systems
- Speed - Improve your production time with the fastest cordless assembly tools in its class
- Ergonomic - Sleek and lightweight for the ultimate in comfort and balance
- Accurate - Ensures safety-critical assembly with best-in-class accuracy and repeatability



Corded Assembly Tools

- Designed to be the New Standard in High Torque Solutions covering a wide torque spectrum up to 4000 Nm.
- Intelligent - Data logging with on board tool memory, preventative maintenance counter, internal temperature monitoring and fully configurable multifunction buttons and LED tool lights
- Speed - 60% speed increase over the current Legacy series tools
- Complexity Reduction - Shares 90% of parts with current 70 series NeoTek™ tools, reducing parts inventory
- Ergonomic - Configurable high out put LED light ring with ergonomic handle



Built-in spindels

- Maintenance - Up to 3,000,000 cycles before maintenance !
- Speed - Increased productivity through higher free speed
- System Simplicity - Seamlessly and easily integrates to all assembly systems
- Reliability - Increases overall equipment availability through an efficient engineered system
- Accuracy - Ensures accurate and repeatable productivity



Pneumatic Tools

- High Precision Clecomatic Clutch - Industry-leading torque accuracy and repeatability, proven in the most demanding aerospace applications.
- Available with air shut-off or stall drive.
- Expanded Torque Range - Adds versatility and improved application coverage
- Durable Grip Material - Tested to withstand industrial chemicals and provides protection against temperature, vibration, and slip.

PRODUCTION TOOLING



“People and solutions”: the value of a true business partner

Fiam is one of the leading companies in Europe and Italy’s foremost designer and manufacturer of industrial air and electric tools and assembly systems.

Fiam creates solutions that look to the quality of the finished product, increased production rate and improvement in operators working conditions.



Screwfeeders

- Automatic and Semi-Automatic assembly systems to increase productivity and quality of the final product.
- Operating times are reduced and leverage operator’s skills are with the aim to improve working conditions and lower production costs.

Screwpresenters

- The pick-and-place systems for manual use consist of screw presenters to ensure fast and smooth work cycles, helping to reduce production costs.
- Thanks to our tailor-made suction systems, we can present screws made by any material and with any drive.

Low Torque Tools

- eTensil is a complete range of industrial electric screwdrivers, nutrunner motors and automatic tightening solutions.
- It is available with different torque control systems and is designed entirely by Fiam to provide an efficient, precise and fully Made in Italy response to the demands of modern industry for green, versatile and smart work tools.

Pneumatic Tools

- Fiam air screwdrivers stand out for their impressive accuracy, extremely easy handling and operator-friendly ergonomic design.
- Ideal solutions for handling high production rates with minimum effort.



QUALITY CONTROL



SCS is a young and innovative company, developing and manufacturing advanced quality instruments, software and services for all what regards tightening process and quality control on production lines.

Products in continuous development, in advance to the requests from industries concerning automation and data traceability



Wrenches

- Tightening in production with different tightening strategies in torque and angle.
- Quality control tests by measuring the residual torque on the joints already tightened, with different detection methods.
- Data traceability with embedded barcode reader and wireless transfer to software / external databases.



Testbenches

- SCS Concept produces a complete range of test benches for control and calibration of all kind of tools (hydraulic, electronic, impulse, torque wrenches).
- With wheels and battery powered, they are the best instruments to be easily managed along the production line.



Software

Different software solutions :

- Syner - Global software platform for production line
- VPG+ - Rework and production stations management software
- SQnet+ - Production line quality management software
- Data.Pro - Torque/angle acquisition Software
- SCS Explorer - Program and download data from SCS instruments



Services / calibrations

- The ability to perform external calibrations allows the customer to eliminate the immobilization times of the instruments and the costs for the bureaucratic management that revolves around the certification of the same.
- The elimination of shipments and packaging will also lead to significant savings.
- External calibrations will therefore save you time and costs, of course it is always possible to send the instruments to our facility.

FASTENING TOOLS

APEX

Revolutionize Your Operations: Innovative Solutions for Enhanced Efficiency, Productivity, and Safety

Apex Assembly & Fabrication specializes in delivering solutions that optimize your operations, boost productivity, and prioritize safety. Whether you're seeking a ready-made solution or a unique, custom-designed tool that stands out from the rest, our team is dedicated to supporting your product development and business growth. With a strong emphasis on efficiency and safety, our solutions are designed to enhance user experience and streamline processes.

While our expertise spans various industries, some of the sectors we cater to include:

Automotive / Aerospace / Electronics & Industrial Assembly / Agriculture & Off-Road Machinery



Bits & sockets

- The industry expert in developing customized, "hard-to-design" bits, bit holders, sockets and universal wrenches.
- Superior quality due to advanced engineering capabilities, proprietary raw materials and consistent manufacturing process



High Voltage Adapters

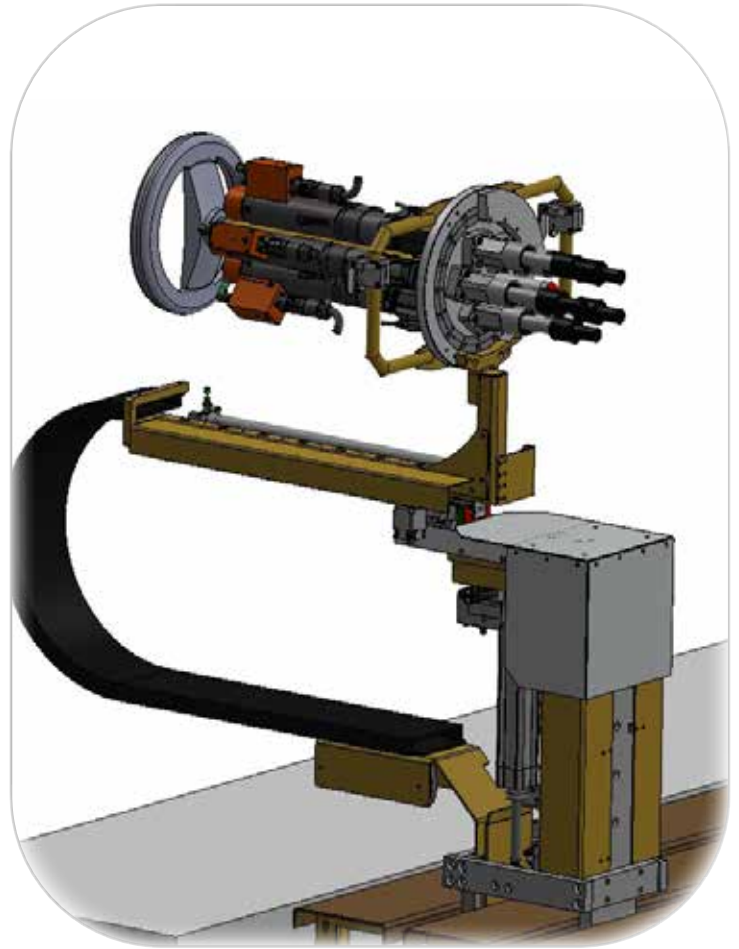
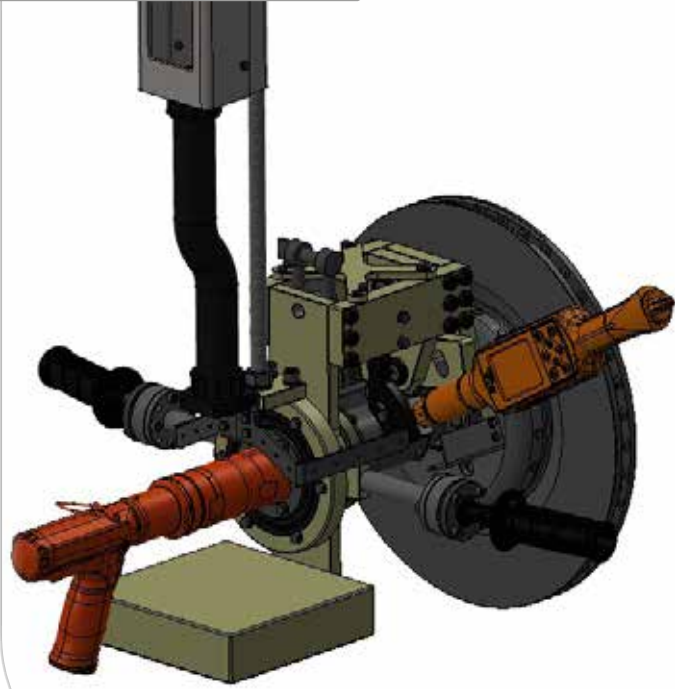
- Enhanced Safety - Apex® Insulated/Isolated Bits & Sockets offer reliable protection against electrostatic discharge up to 1000V, significantly reducing the risks associated with contact with high currents, live components, short-circuits, and grounding with tools.
- Extensive EV Tightening Solutions - Unlock endless tightening combinations with Apex Tools, with extensive customized solutions to cater to any high-voltage fastening assembly task.



u-GUARD™ covered tools

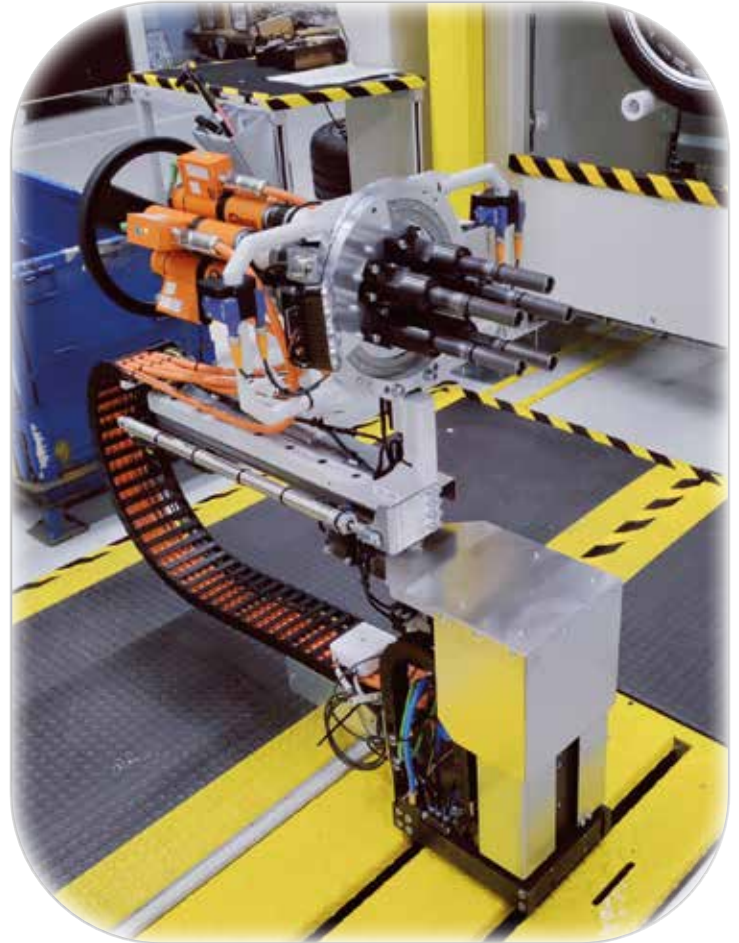
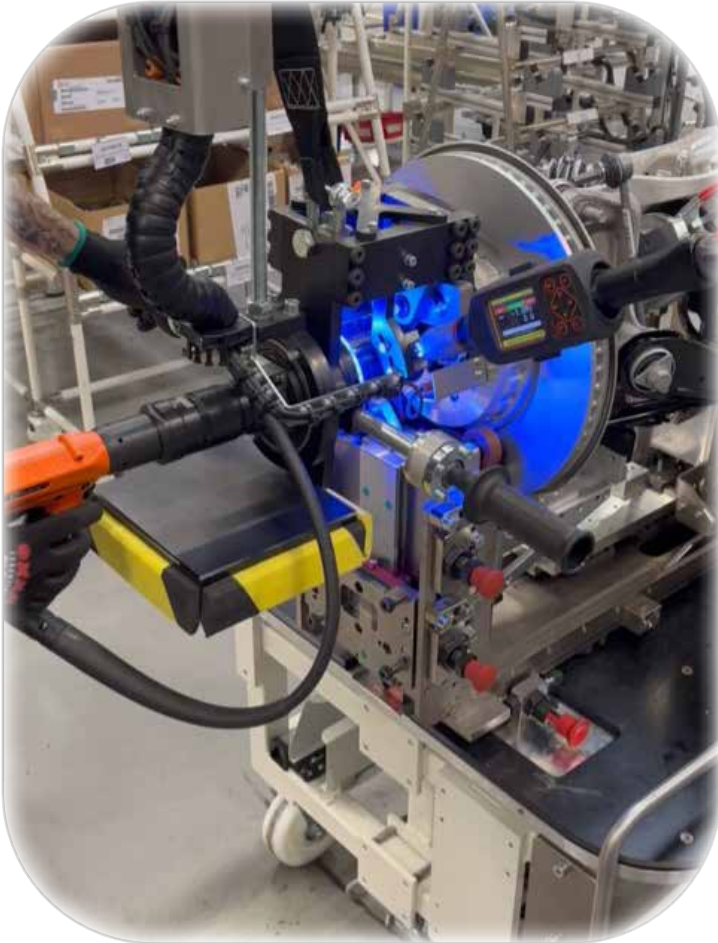
- APEX® u-GUARD™ free-spinning covered drive tools increase operator safety by significantly reducing or eliminating pinch points when operators are wearing gloves.
- APEX u-GUARD provides a protective barrier between genuine APEX fastener tools and your finely finished workpiece, thereby delivering the proven APEX performance plus the best protection available against in-system damage.
- The free-spinning design provides maximum protection for polished and highly sensitive surfaces.

DIGITAL DESIGNS



SABGROUP

THE POWER OF ASSEMBLY



REALISATIONS

SABGROUP

THE POWER OF ASSEMBLY

SAB-group standards

At SAB, we pride ourselves on setting our own high standards. Our commitment to excellence drives us to develop cutting-edge solutions tailored to our clients' needs

- **Socket Selectors:** Our meticulously designed socket selectors ensure precision and reliability, engineered to meet the most demanding requirements.
- **Posicontrol Positioning System:** Developed in-house, our Posicontrol system provides accurate positioning. It's a game-changer for professionals.
- **Special Sockets:** SAB's special sockets go beyond the ordinary. Crafted for specific tasks, they enhance efficiency and safety. From tight spaces to specialized fasteners, we've got you covered.
- **Screwpresenters:** Simplify your assembly process with our innovative screwpresenters. These ergonomic tools streamline screw handling, reducing fatigue and improving productivity.

At SAB, innovation is our compass, and our standards are the guiding stars !



“Crafting Excellence: Where Innovation Meets Precision”

At SAB-group, we don't just build machines; we engineer solutions.

Our team of skilled professionals assembles and perfects each machine precisely in our state-of-the-art demonstration facility.

Here, clients can experience firsthand the seamless integration of technology and craftsmanship.

Why Choose SAB-group?

- **Quality Assurance:** Our rigorous testing ensures that every machine meets the highest standards of quality and performance.
- **Client-Centric Approach:** Visit our demo room to test your machine before installation. Your satisfaction is our priority.
- **Expertise:** With decades of experience, our team brings unparalleled expertise to every project.

SAB-GROUP
Vriesenrot 22
9200 Dendermonde
Belgium



+32 52 40 95 74
info@sab-group.eu
www.sab-group.eu